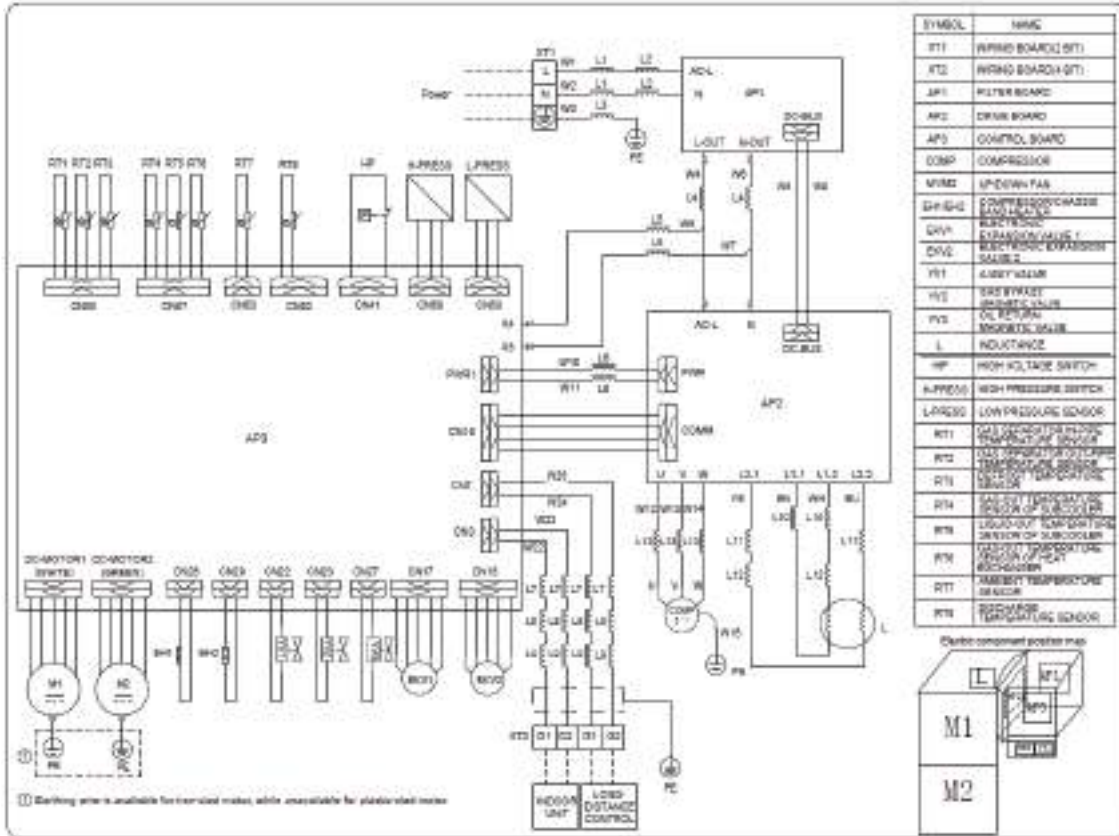


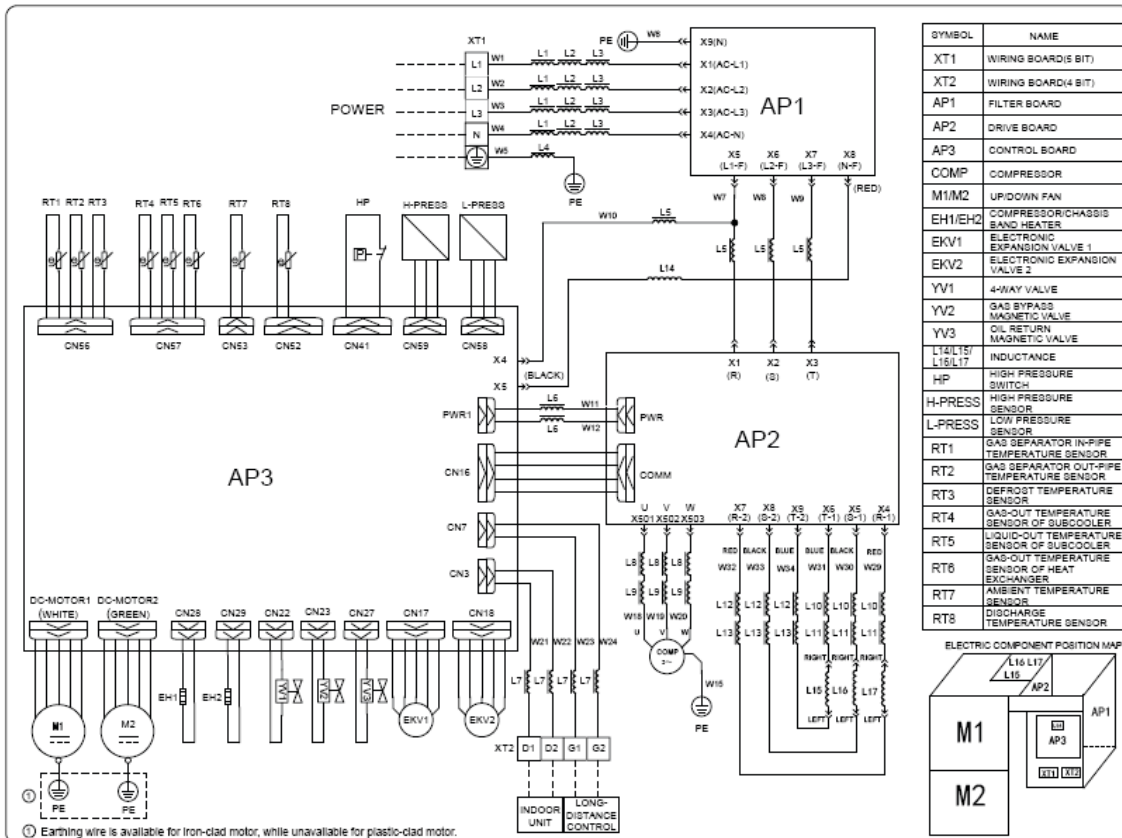
19. ЭЛЕКТРИЧЕСКИЕ СХЕМЫ БЛОКОВ

19.1. Наружные блоки

SMZ1U45V2AI, SMZ1U54V2AI, SMZ1U60V2AI



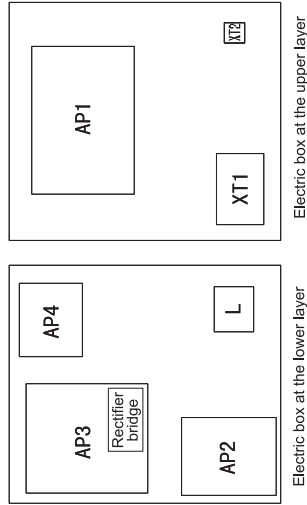
SMZ3U45V2AI, SMZ3U54V2AI, SMZ3U60V2AI



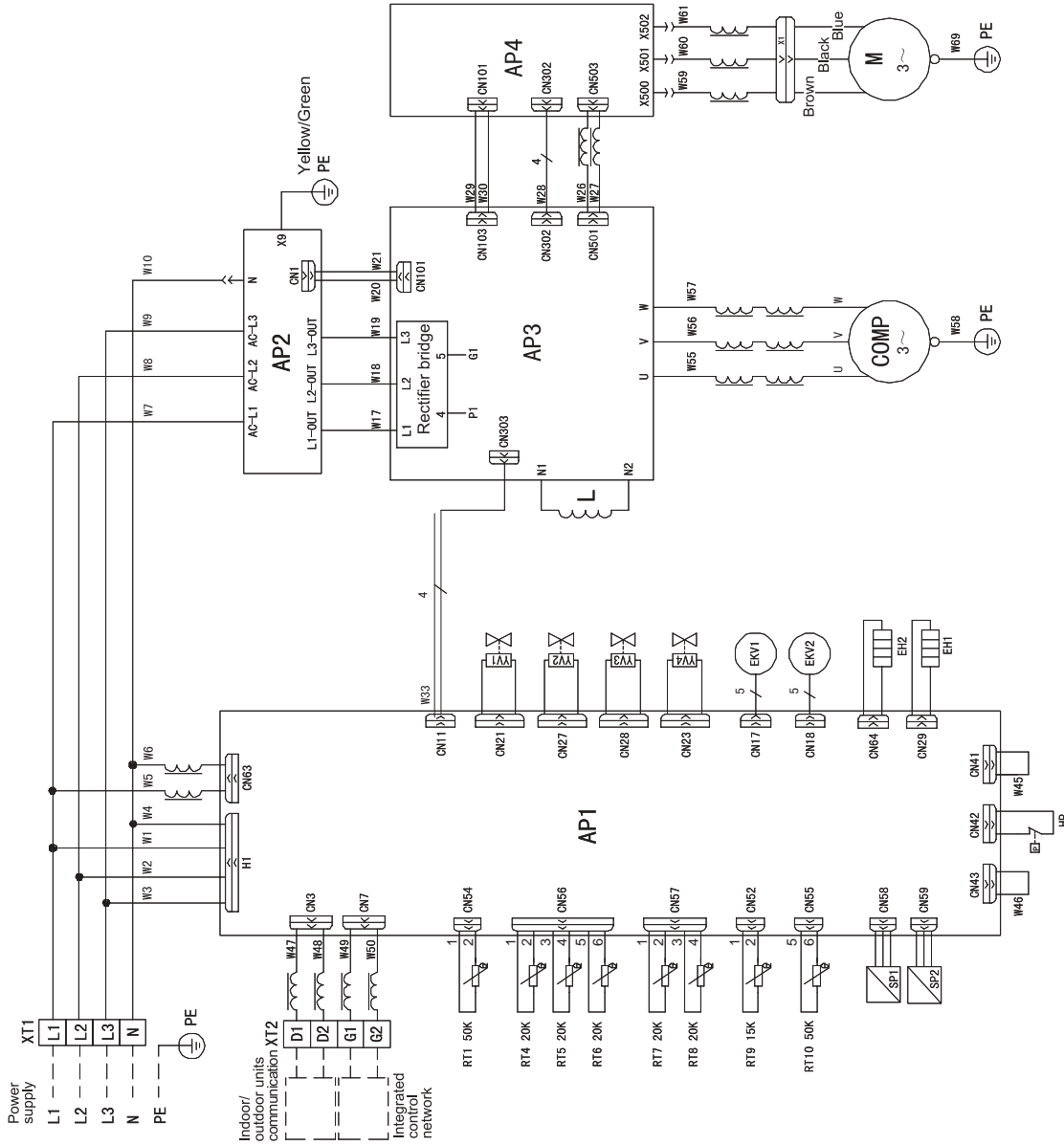
SMZU75V2AI, SMZU96V2AI

Names of components and parts

XT1-2	Wiring board (4-digit)	L	Electric reactor
AP1	Main board	RT1	Exhaust pipe temperature sensor of inverter compressor
AP2	Filter board	RT4	Liquid-gas separator inlet temperature sensor
AP3	Inverter compressor driver board	RT5	Defrosting temperature sensor
AP4	Fan driver board	RT6	Liquid-gas separator outlet temperature sensor
COMP	Inverter compressor	RT7	Subcooling air temperature sensor
M	Fan	RT8	Subcooling liquid temperature sensor
YV1	Four-way valve	RT9	Environment temperature sensor
YV2	Oil equalizing valve 1	RT10	Compressor casing-top temperature sensor of inverter compressor
YV3	Oil equalizing valve 2	SP1/SP2	Low-pressure sensor/High-pressure sensor
YV4	Air by-pass valve	EH1	Electrical heat tape of inverter compressor
EKV1	Electronic expansion valve for heating	EH2	Oil extractor electrical heat tape
EKV2	Subcooler electronic expansion valve	HP	High-pressure circuit breaker of inverter compressor



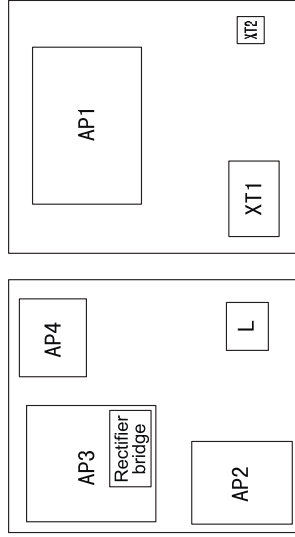
Layout of components and parts



SMZU120V2AI

Names of components and parts

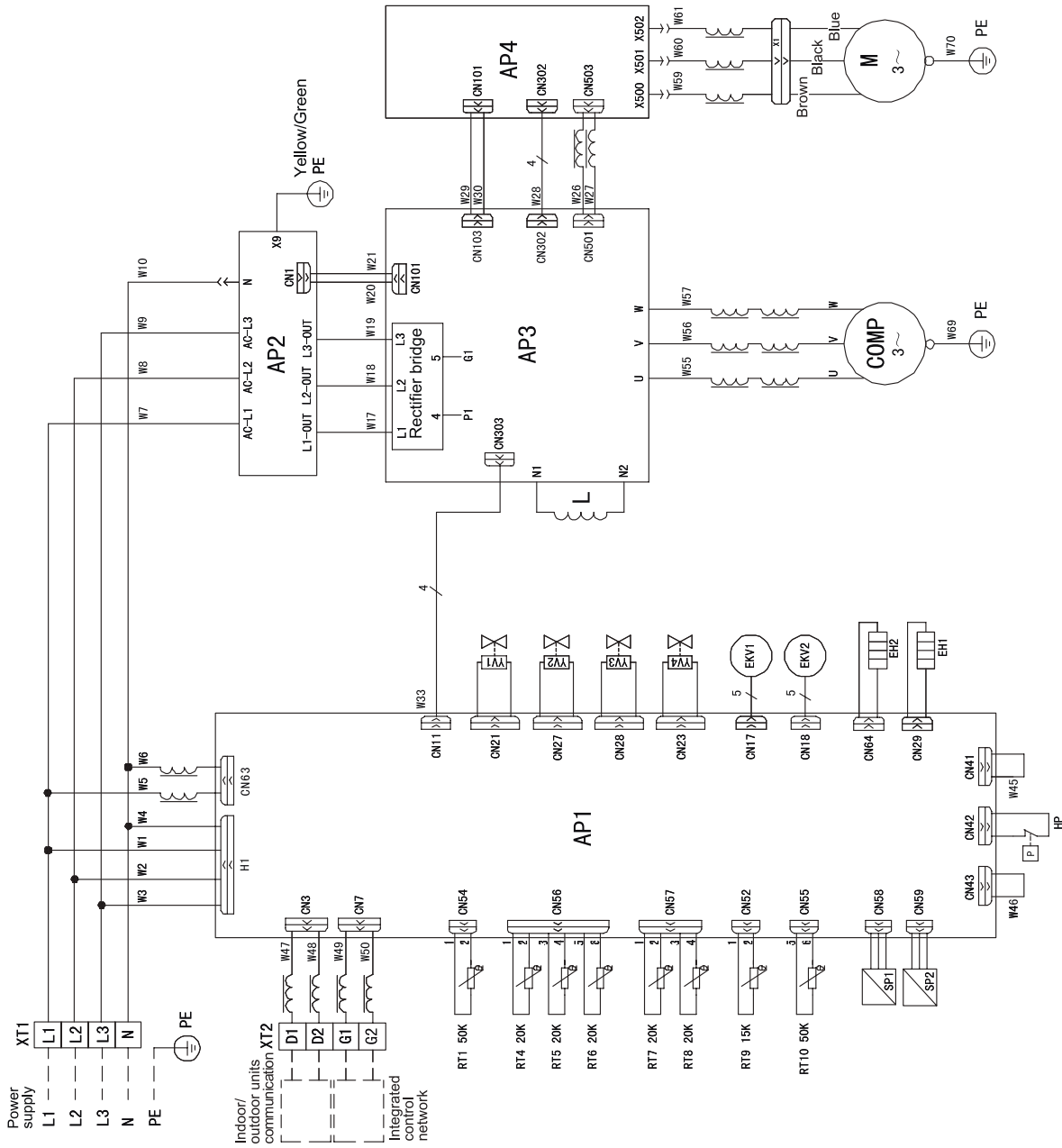
XT1-2	Wiring board (4-digit)	L	Electric reactor
AP1	Main board	RT1	Exhaust pipe temperature sensor of inverter compressor
AP2	Filter board	RT4	Liquid-gas separator inlet temperature sensor
AP3	Inverter compressor driver board	RT5	Defrosting temperature sensor
AP4	Fan driver board	RT6	Liquid-gas separator outlet temperature sensor
COMP	Inverter compressor	RT7	Subcooling air temperature sensor
M	Fan	RT8	Subcooling liquid temperature sensor
YV1	Four-way valve	RT9	Environment temperature sensor
YV2	Oil equalizing valve 1	RT10	Compressor casing-top temperature sensor of inverter compressor
YV3	Oil equalizing valve 2	SP1/SP2	Low-pressure sensor/High-pressure sensor
YV4	Air by-pass valve	EH1	Electrical heat tape of inverter compressor
EKV1	Electronic expansion valve for heating	EH2	Oil extractor electrical heat tape
EKV2	Subcooler electronic expansion valve	HP	High-pressure circuit breaker of inverter compressor



Electric box at the lower layer

Electric box at the upper layer

Layout of components and parts

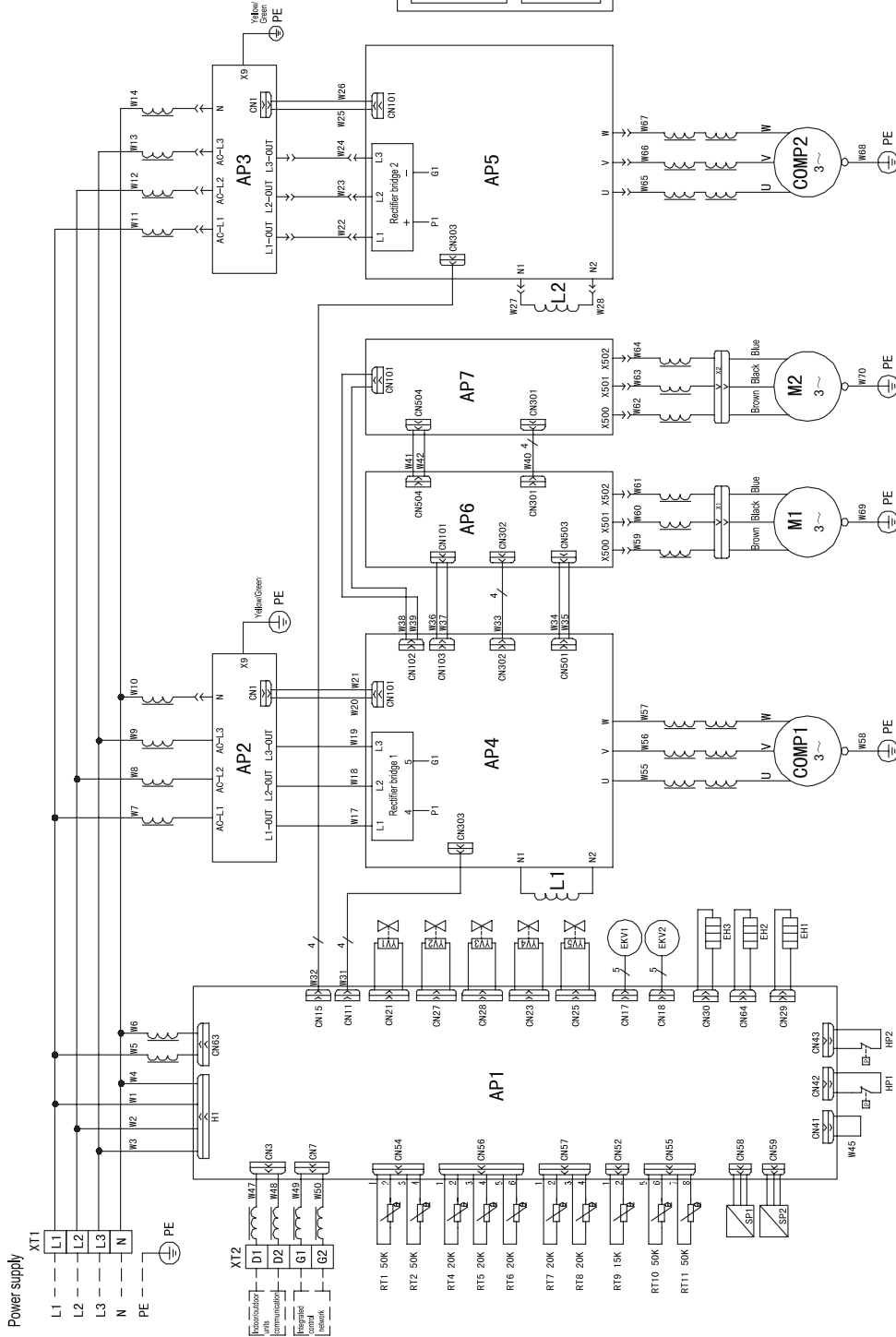
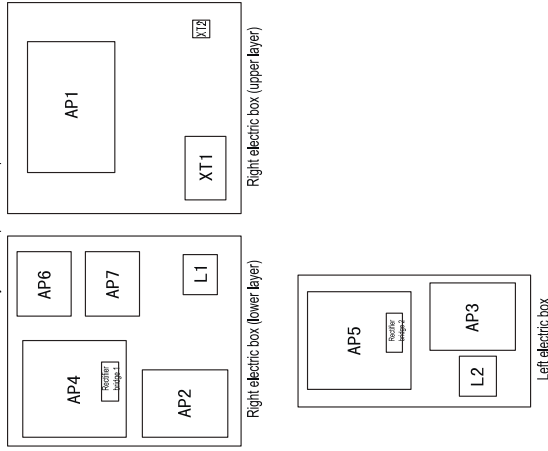


SMZU135V2AI, SMZU150V2AI

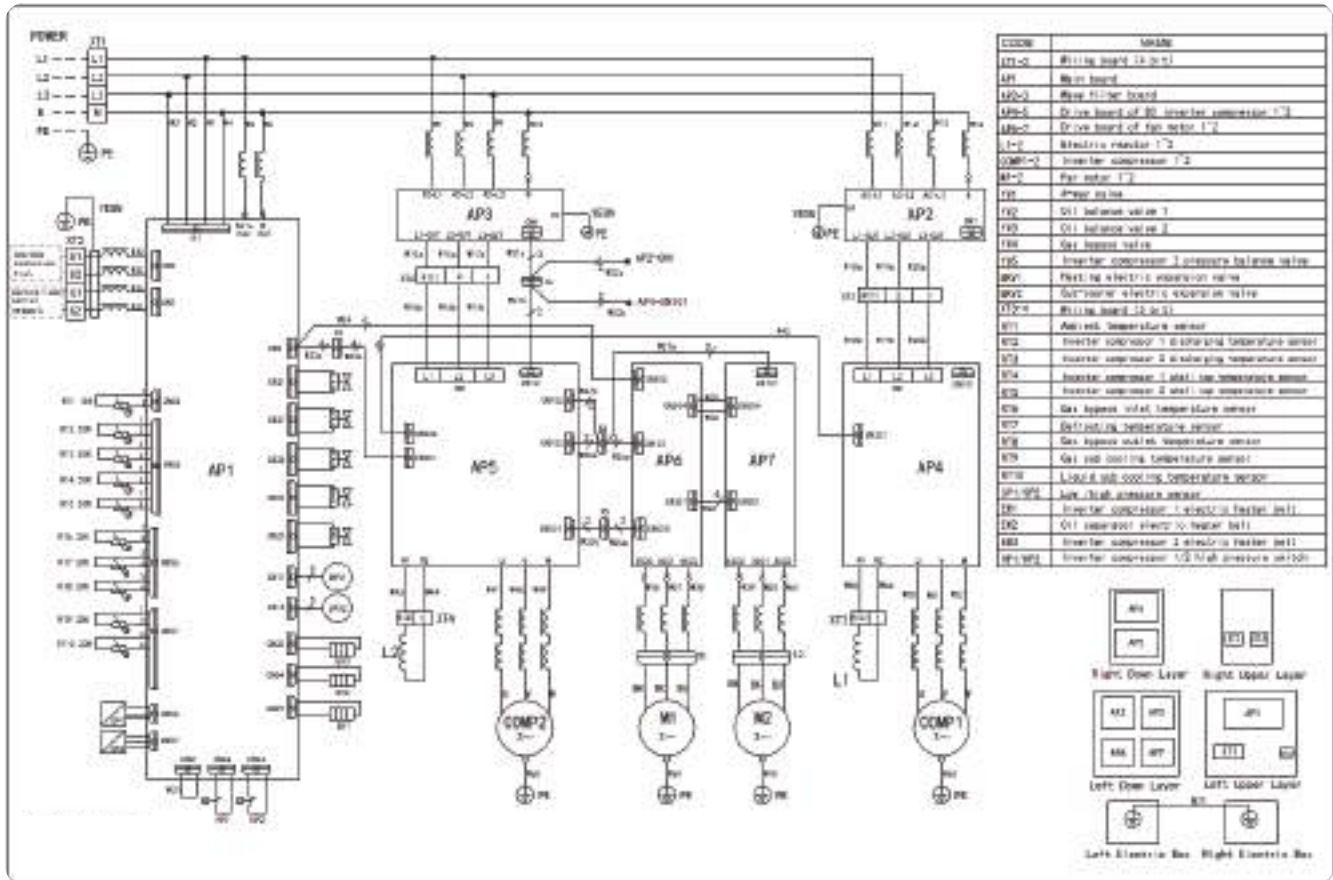
Names of components and parts

XT1-2	Wing board (4-8pin)	RT1	Inverter compressor 1 Exhaust pipe temperature sensor
AP1	Main board	RT2	Inverter compressor 2 Exhaust pipe temperature sensor
AP2-3	Filter board	RT4	High-gas separator/High temperature sensor
AP4-5	Inverter compressor driver board	RT5	Defrosting temperature sensor
AP6-7	Fan driver board	RT6	Liquid-gas separator/outlet temperature sensor
L1-2	Electric reactor	RT7	Subcooling air temperature sensor
COMP1-2	Inverter compressor 1-2	RT8	Subcooling liquid temperature sensor
M1-2	Fan 1-2	RT9	Environment temperature sensor
YV1	Four way valve	RT10	Inverter compressor 1 Compressor c. single-cho temperature sensor
YV2	Oil equalizing valve 1	RT11	Inverter compressor 2 Compressor c. single-cho temperature sensor
YV3	Oil equalizing valve 2	SP1/SP2	Low-pressure sensor/High-pressure sensor
YV4	Air bypass valve	EH1	Inverter compressor 1 Electrical heat type
YV5	Inverter compressor 2	EH2	Oil extractor electrical heat type
EKV1	Electronic expansion valve for heating	EH3	Inverter compressor 2 Electrical heat type
EKV2	Subcoole-electronic expansion valve	HP1/HP2	Pressure sensor 1,2 High pressure circuit breaker

Layout of components and parts

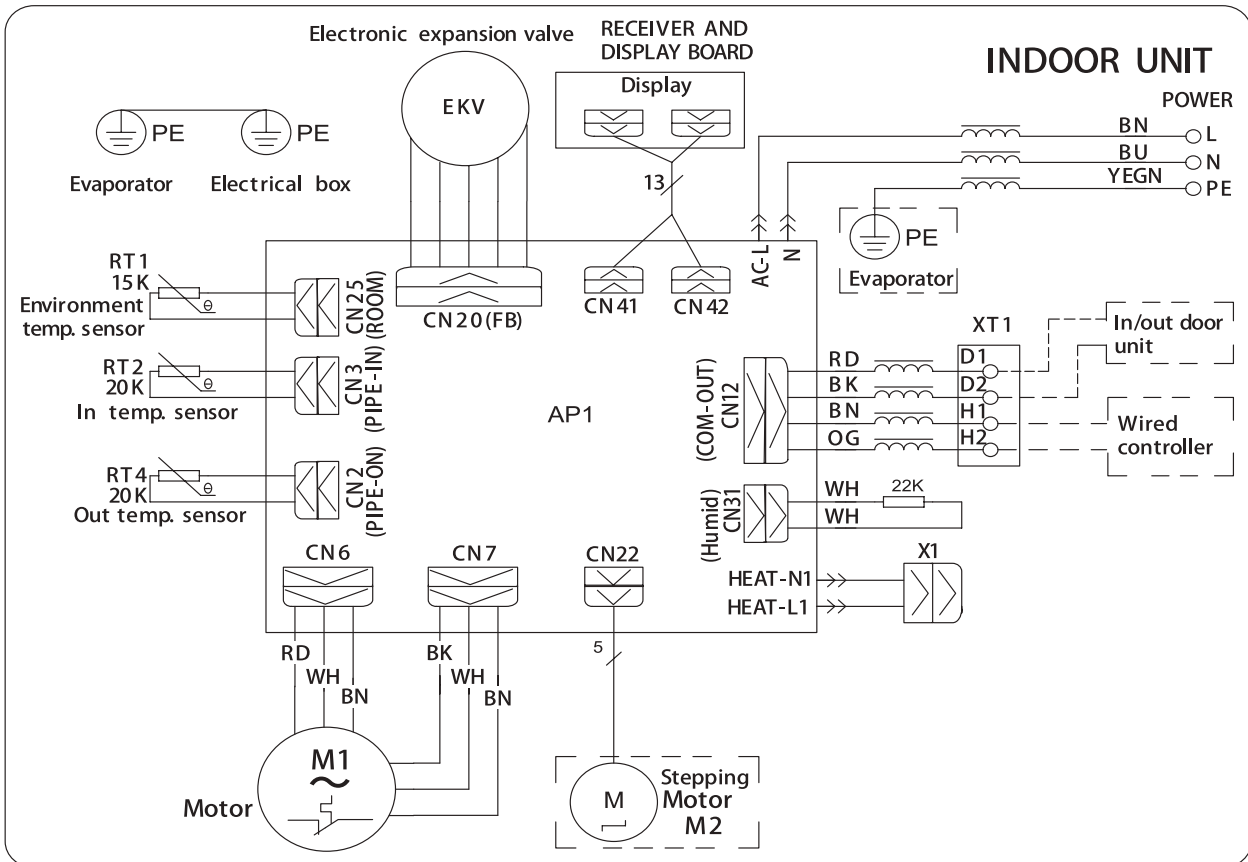


SMZU175V2AI, SMZU190V2AI, SMZU215V2AI



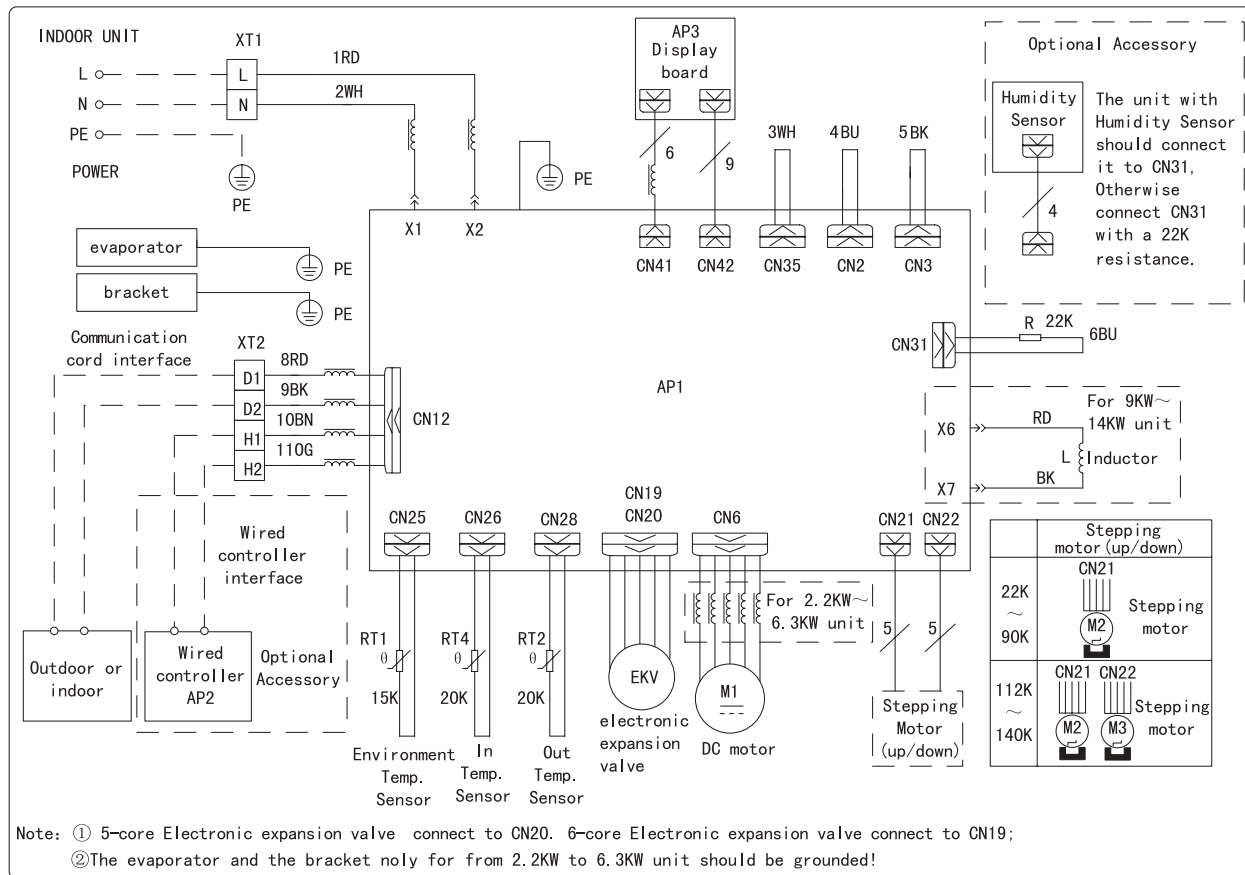
19.2. Внутренние блоки настенного типа

SMZS07V2AI ~ SMZS24V2AI



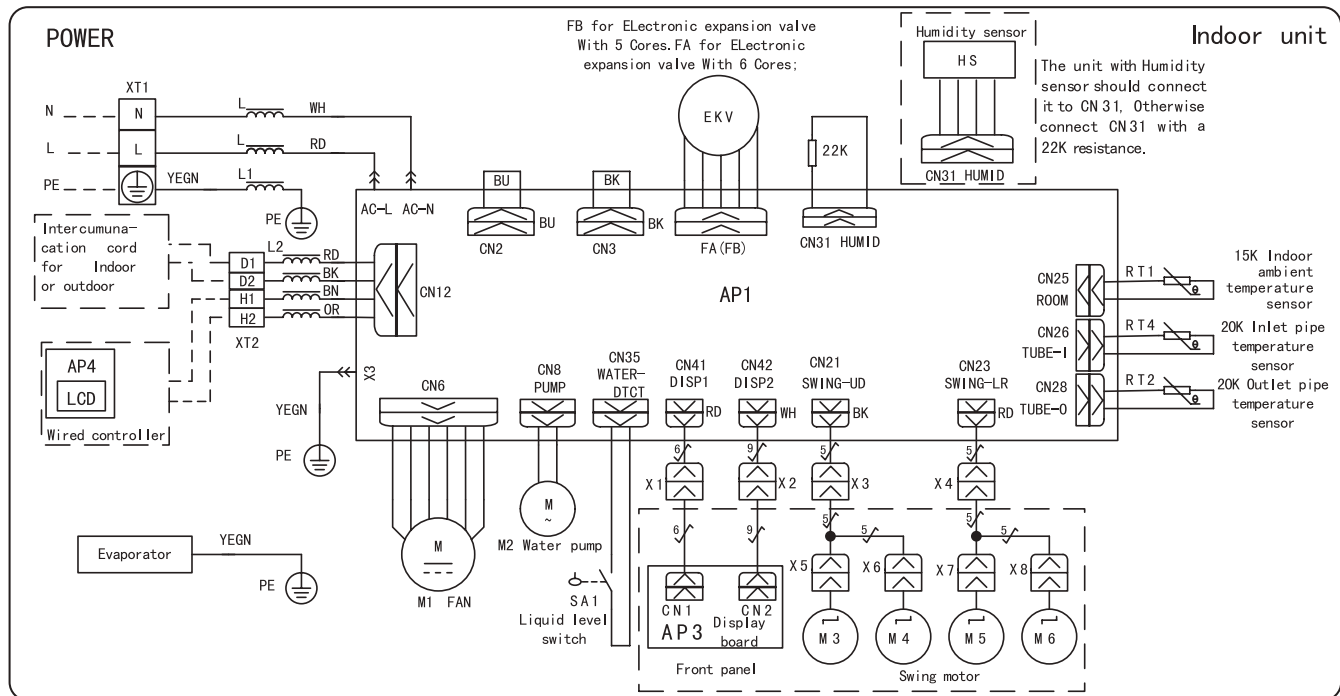
19.3. Внутренние блоки напольно-потолочного типа

SMZCF09V2AI ~ SMZCF48V2AI



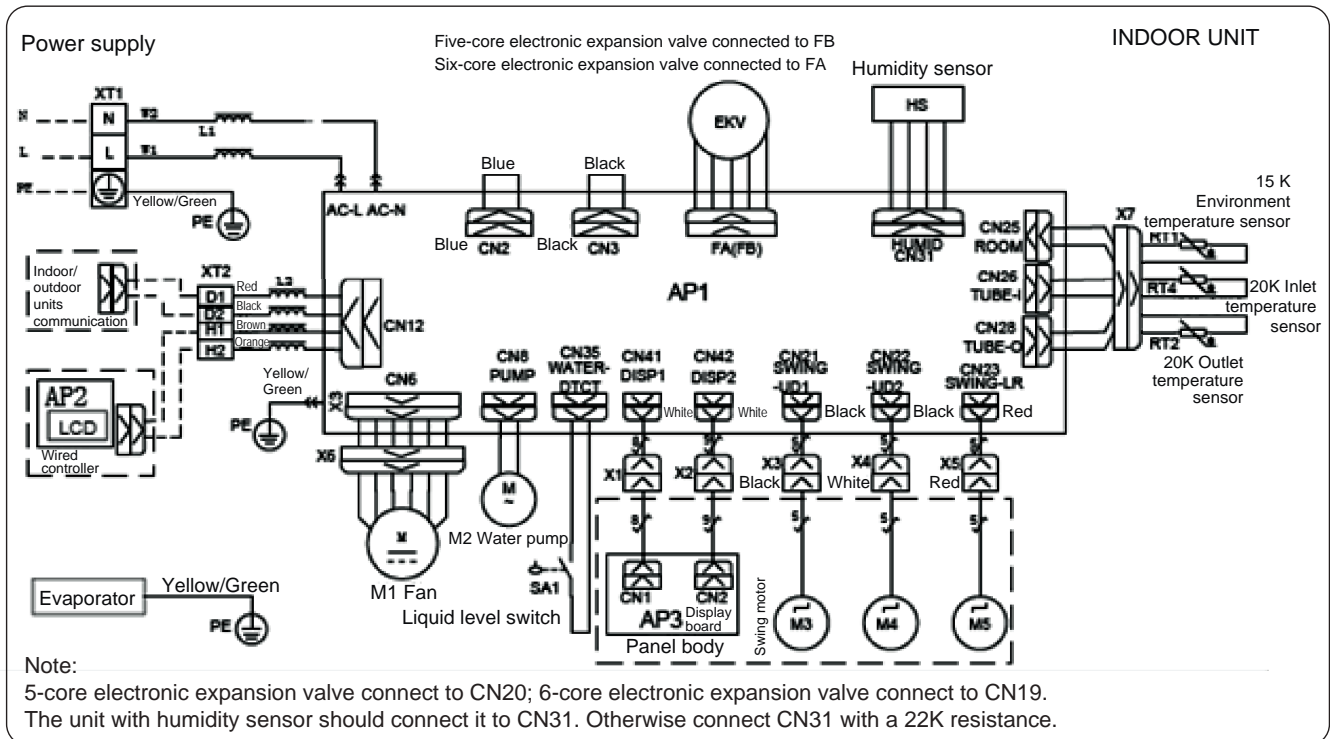
19.4. Внутренние блоки кассетного типа 4x-поточные

SMZC09V2AI ~ SMZC28V2AI



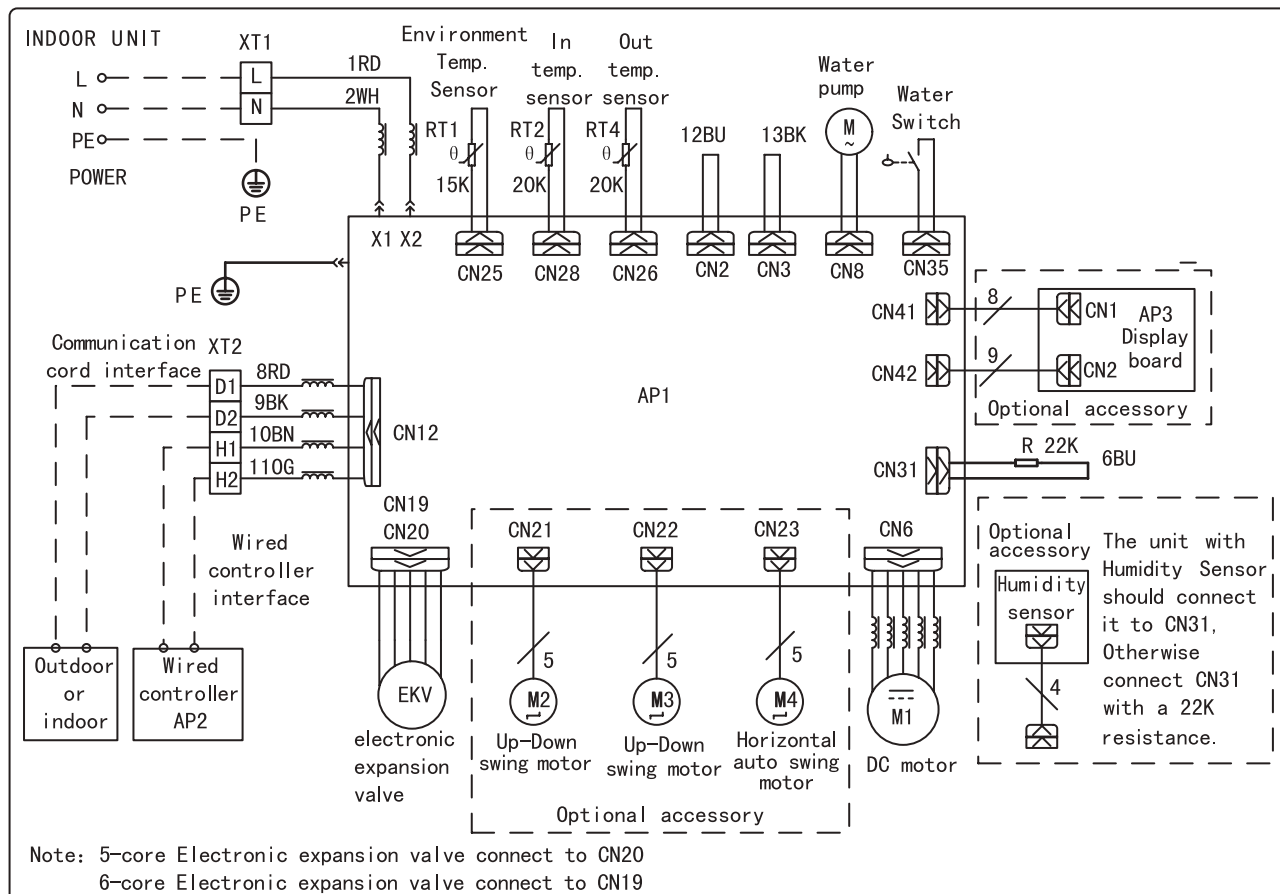
19.6. Внутренние блоки кассетного типа однопоточные

SMZ1C07V2AI ~ SMZ1C18V2AI

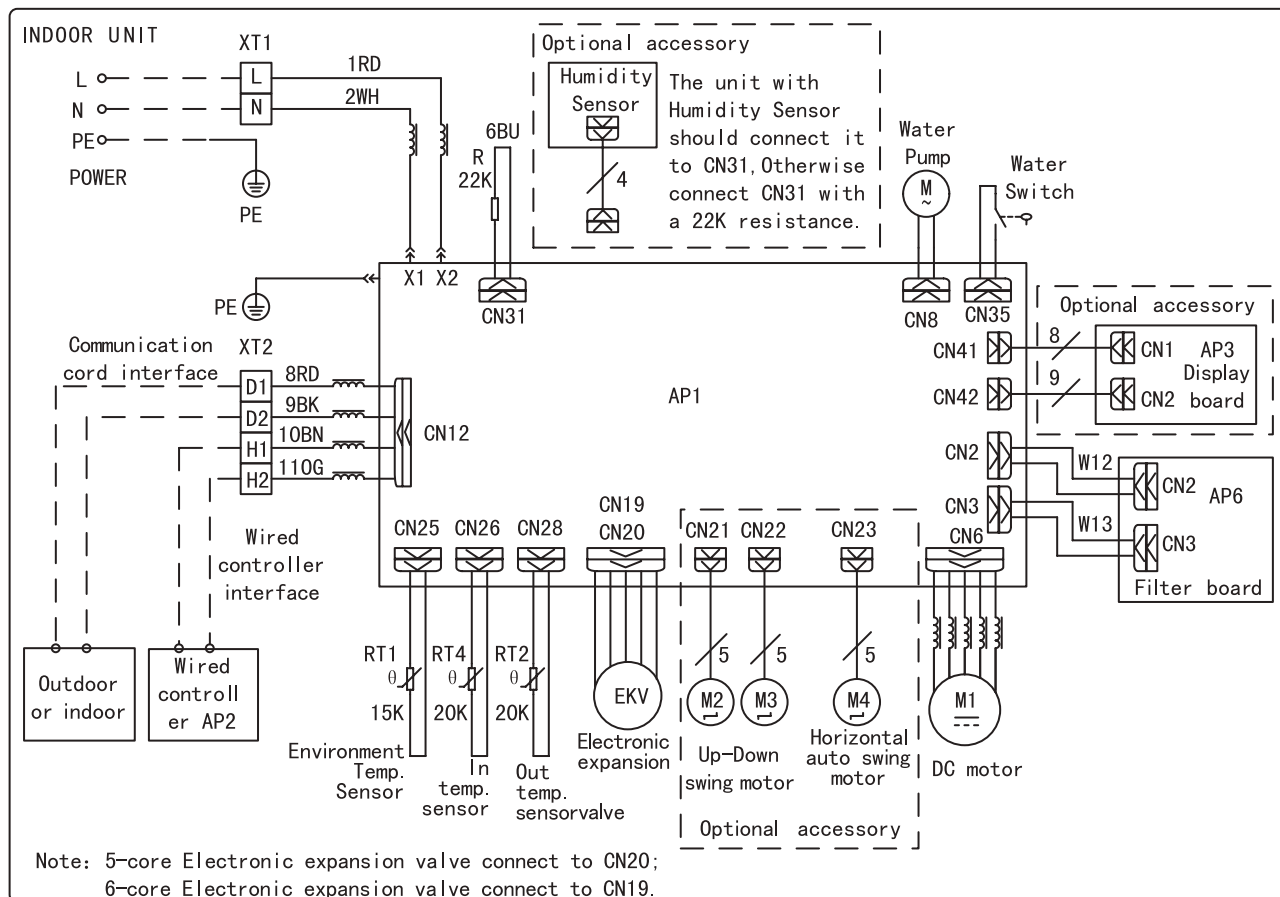


19.7. Внутренние блоки канального типа низконапорные

SMZD07V2AI ~ SMZD27V2AI

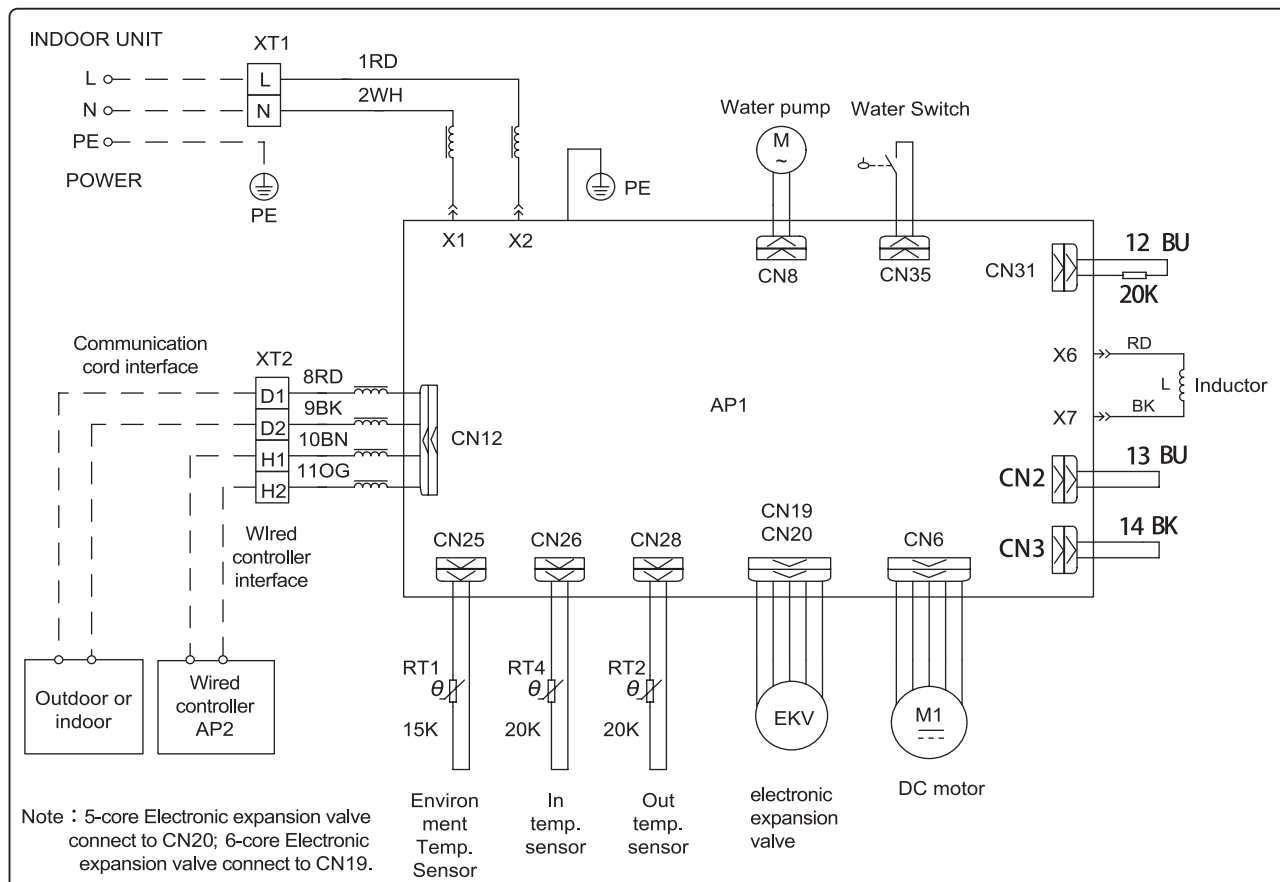


SMZD31V2AI ~ SMZD48V2AI

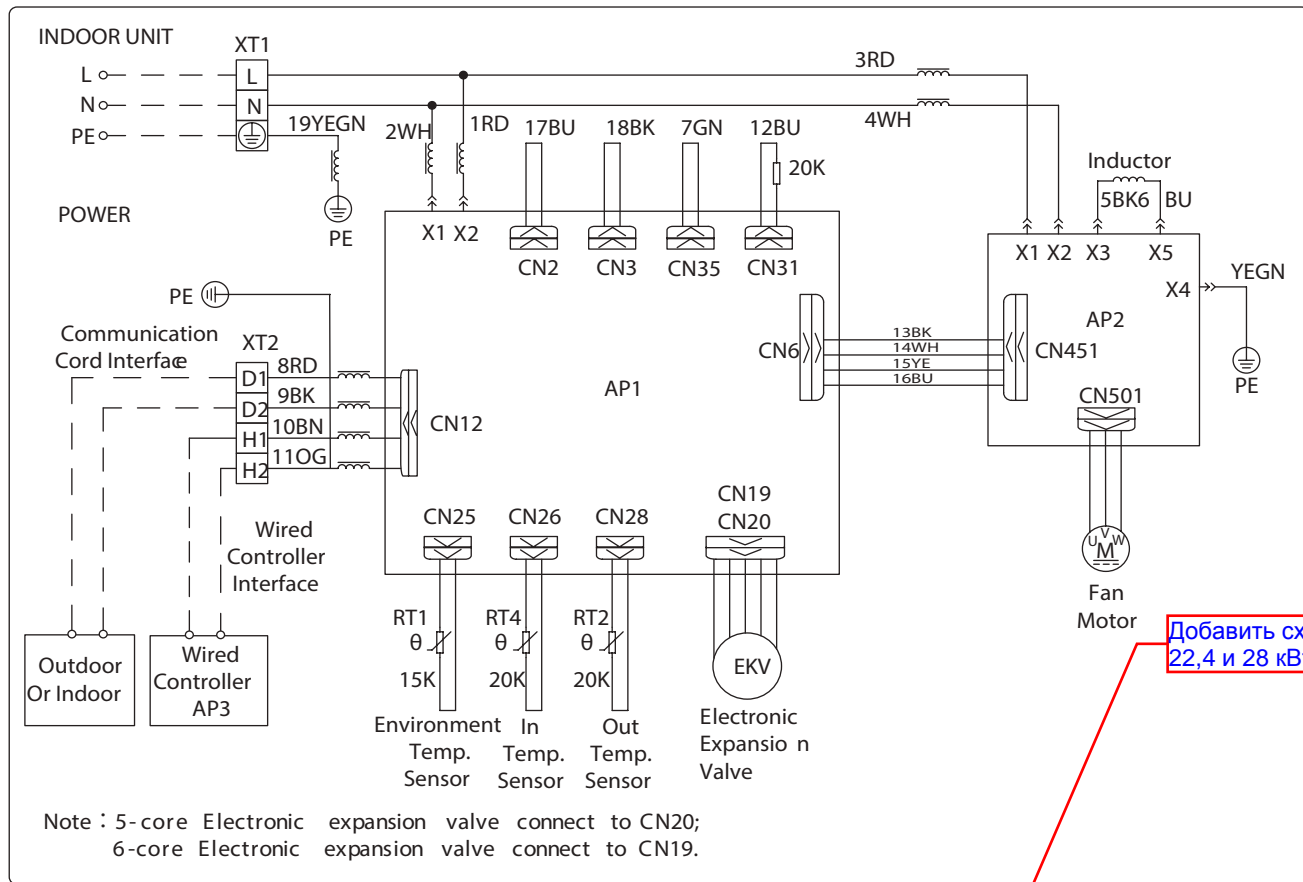


19.8. Внутренние блоки канального типа высоконапорные

SMZH18V2AI ~ SMZH27V2AI



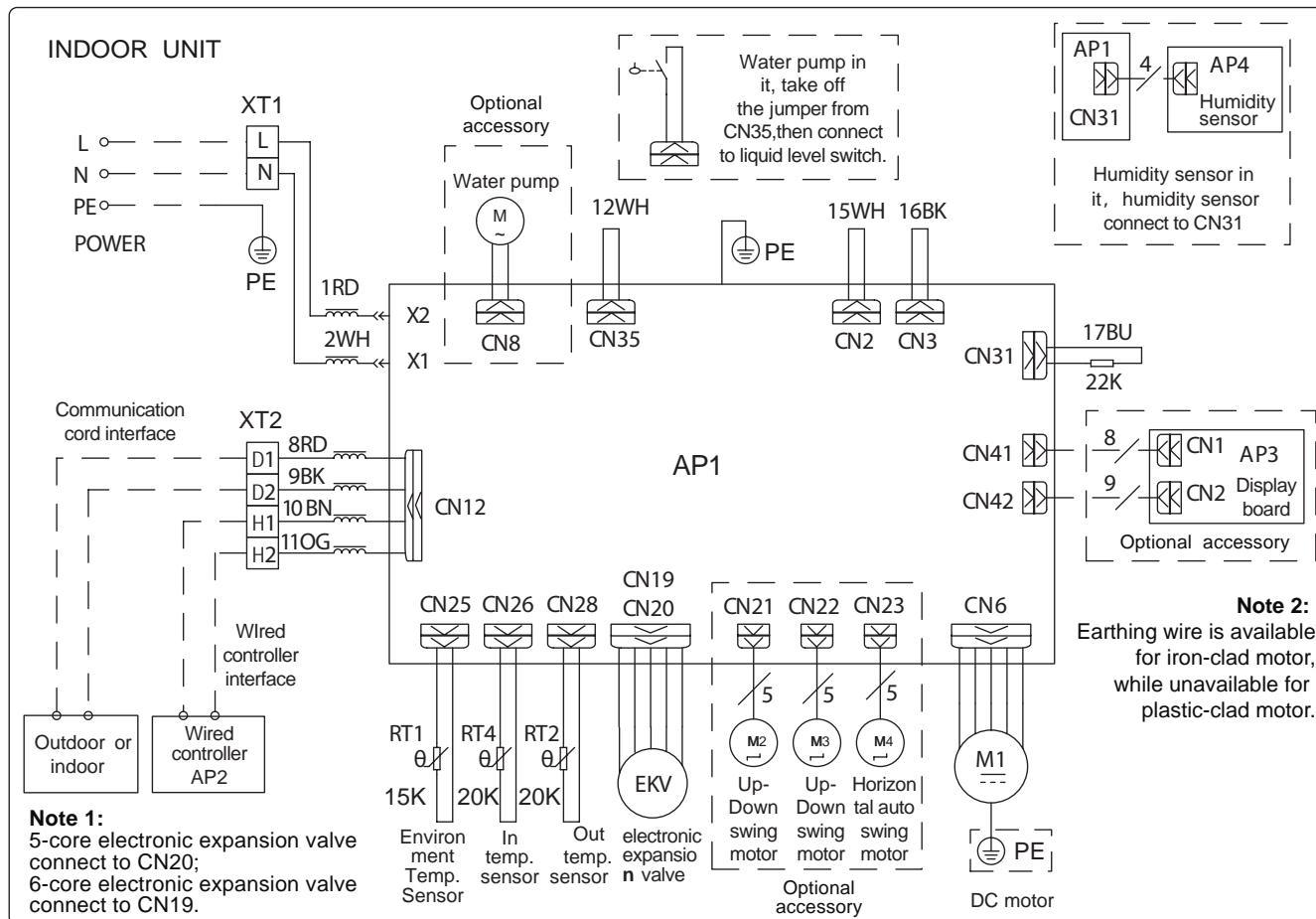
SMZH31V2AI ~ SMZH55V2AI



Добавить схемы на 22,4 и 28 кВт

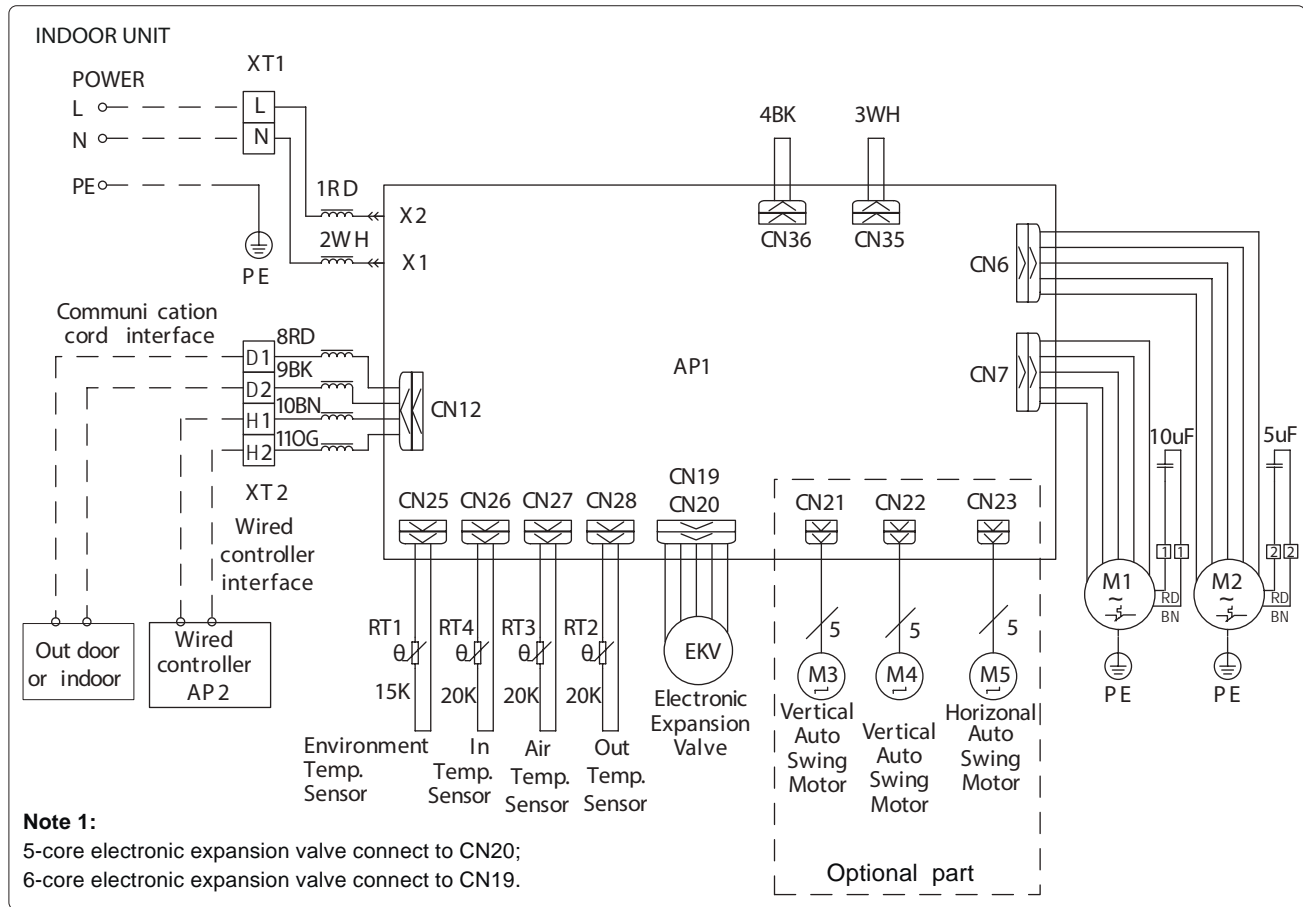
19.9. Внутренние блоки канального типа тонкие

SMZDS07V2AI ~ SMZDS24V2AI

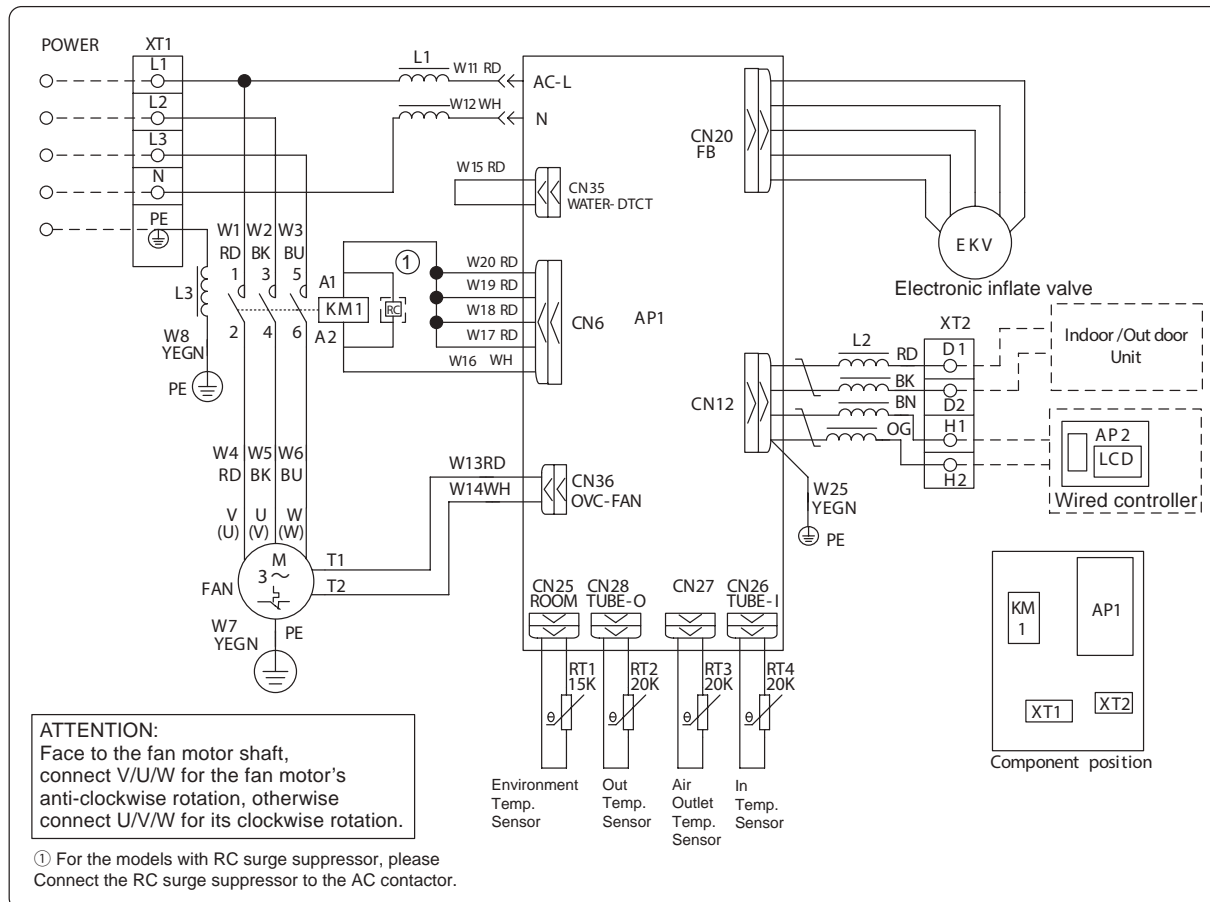


19.10. Внутренние блоки с притоком свежего воздуха

SMZFA48V2AI



SMZFA72V2AI, SMZFA96V2AI, SMZ1FA96V2AI



SMZFA154V2AI

